

Precision Angle Plate

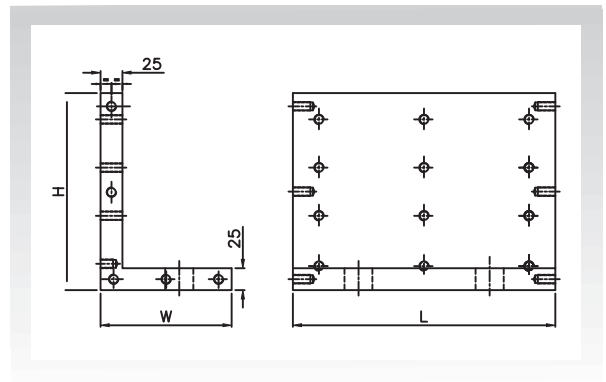
Series AA-274

- Solid one-piece angle plates are made from hardened steel.
- Angle plates come with tapping holes for easy clamping of jobs. Also the angle plates can be bolted directly to sine plates or compound sine plates.
- Accuracy for flatness, parallelism & squareness is $\pm 0.005\text{mm}$ for Cat No.AA-2742 & 2743 & $\pm 0.010\text{ mm}$ for Cat No.AA-2744 & 2745.



Specifications:

Sr. No.	Cat. No.	Size in mm L X W X H
1	AA-2742	150 x 115 x 150
2	AA-2743	150 x 150 x 150
3	AA-2744	225 x 150 x 150
4	AA-2745	300 x 150 x 225



Precision Angle Plate

Series AA-274

- Solid one-piece angle plates are made from hardened steel.
- All sides are precision ground, flat, parallel and square within $\pm 0.005\text{ mm}$. Ideal for quick machine set-ups or inspection.
- Angle plate comes with small 'V' to hold cylindrical parts with M8 tapped holes. Supplied with clamps.

Specifications:

Sr. No.	Cat. No.	Size in mm
1	AA-2741	100 x 100 x 115

