

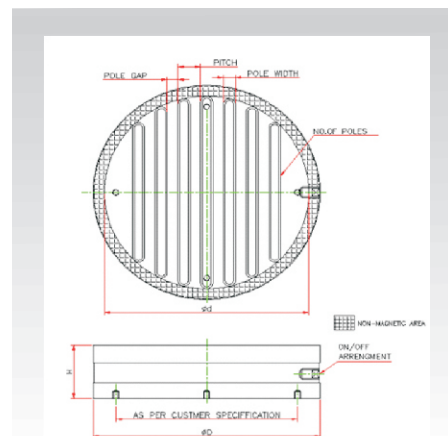
Circular Magnetic Chucks

Accuracy as per IS- 4816 – 1987
Series AA-159

- Circular Magnetic Chucks are manufacture for grinding of medium & big components.
- They are manufacture as per IS- 4816 – 1987 specification.
- Powerful ALNICO magnets are used in the assembly giving better life.
- Concentric grooves on the chuck helps in clamping parts concentrically.

Specifications:

Sr. No.	Cat. No.	Size in mm ØD X H	Magnetic Pole Gap in mm
1	AA-15903	160 X 60	16
2	AA-15904	175 X 60	16
3	AA-15905	200 X 65	16
4	AA-15906	225 X 65	16
5	AA-15907	250 X 70	16
6	AA-15908	315 X 70	16
7	AA-15909	375 X 70	19
8	AA-15910	400 X 70	19
9	AA-15911	450 X 70	19



Round Magnetic Chucks (With Radial Pole)

Series AA-159

- Radial pole chucks are ideal for disc, ring shaped components.
- These are powerful and most suitable for all sizes of components for grinding and light turning.
- They can be provided with bore in the center for internal grinding & boring operations.

Specifications:

Sr. No.	Cat. No.	Size in mm ØD X H
1	AA-15916	200 x 65
2	AA-15917	250 x 65
3	AA-15918	300 x 65

