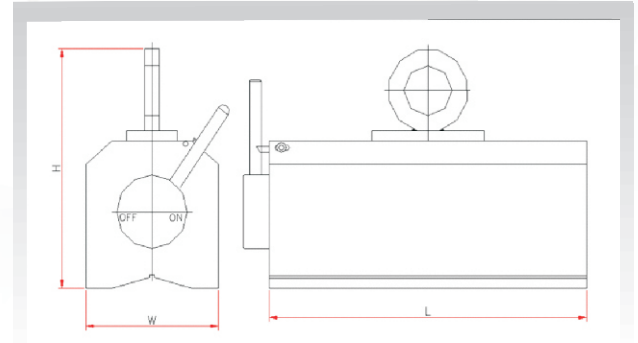


## Permanent Magnetic Lifter Grinding Vice

Series AA-311



- Permanent Magnetic Lifters are compact in design & are used for lifting flat & round steel.
- Lifters are packed with highest quality rare earth neodymium magnetic material.
- The handle locks in ON position with a safety lock to prevent unintentional operation.
- They require no power consumption.
- As no electric power is required hence there is no danger of accident due to failure of electric supply
- Permanent Magnetic Lifters are tested for a factor of safety of three times the recommended capacity.
- They are supplied with third party test certificate.
- The safety factor is required due to such variables as surface condition, contact area, alloy content and material thickness and may need to be increased if these conditions are particularly adverse.

### Specifications:

Sr. No.	Cat. No.	Size in mm (with Hook) L X W X H	Lifting Capacity (kg)	Tested Capacity(kg)	Self Weight (In Kg)
1	AA-3111 A1	110 x 60 x 140	100	300	4
2	AA-3111 A2	174 x 70 x 160	200	600	10
3	AA-3111	200 x 100 x 185	300	900	15
4	AA-3112	258 x 100 x 190	450	1350	21
5	AA-3112 A3	258 x 100 x 190	500	1500	21
6	AA-3113	282 x 110 x 220	600	1800	26
7	AA-3114	302 x 110 x 225	700	1500	21
8	AA-3115	370 x 150 x 260	1000	3000	65
9	AA-3116	456 x 180 x 272	1500	1500	125
10	AA-3117	510 x 230 x 350	2000	6000	180

Higher lifting capacity is Available on Request.