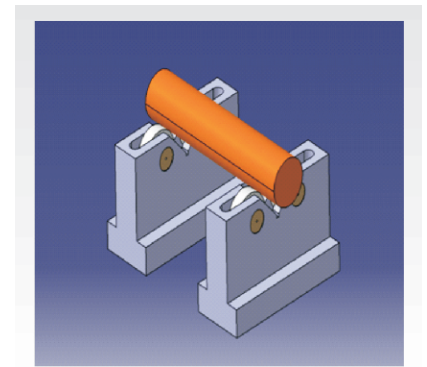
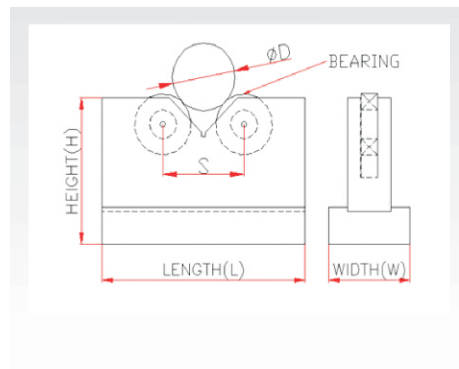


## Roller Bearing 'V' Blocks

Series AA-3711



- The Roller Bearing 'V' Blocks are accurately assembled and are precision ground in matched pairs.
- Four high precision double Z bearings are provided on the top . This facilitates in the inspection of heavy round components.
- Work pieces don't get damaged due to bearings.
- The base plate of roller bearing 'V' block is hardened to 55 HRC  $\pm$  2 HRC.

### Specifications:

Sr. No	Cat. No.	Size in mm L X W X H	C.D of Bearings in mm	Range of Shafts (ØD) in mm	Load Capacity/ Bearing
1	AA-3711	150 X 60 X 100	60	20 -70	900 kg
2	AA-3712	230 X 100 X 150	105	65 - 200	1000 kg

We also Manufacture Roller Bearing Blocks to the Customer's Specifications.